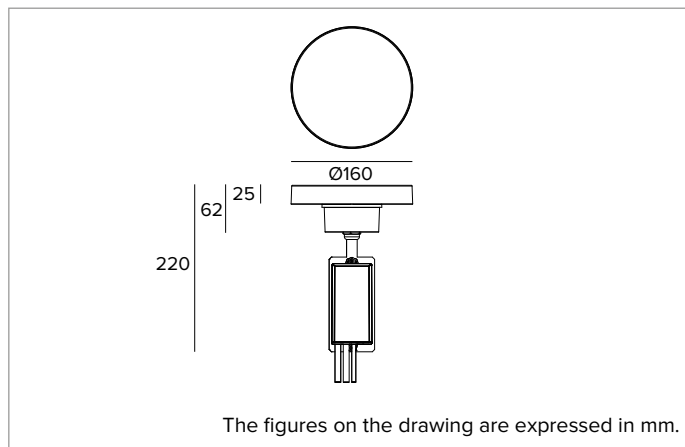


1E4020EL | MRS BO BOLLARD

Radial-emission LED bollard



		3500K	H(m)	D1(m)	D2(m)	E _{max} (lx)
		Ra80	55°	106°		
Fixture Power	13W	1	2.65	4.33	138	
Source Flux	2021lm	2	5.30	8.65	35	
Fixture Flux	512lm	3	7.95	12.98	15	
Efficacy	39lm/W	4	10.60	17.31	9	
TS1588	I _{max} =142cd/klm	I _{max}	287cd	5	13.25	21.64
				6		



SOURCE

Chip on Board LED Ra80. Ra90 on request.

Energy efficiency class: D

Nominal power: 12W

Nominal flux: 2021lm

Colour rendering index: 80

Rf: 83

Rg: 95

CCT nominal: 3500K

SDCM: 2

Lifetime (L80/B10): >50000h tq +25°C

ILLUMINOTECHNICAL CHARACTERISTICS

A high reflectance anodised aluminium printed reflector. Transparent polycarbonate screen placed horizontally to avoid upwards flow (0 candles above horizontal axis).

Emission: 180°

Optic: REFLECTOR

Optical efficiency: 25%

Fixture flux: 512lm

Luminous efficacy: 39lm/W

Photobiological safety: Compliant with RG1 low risk group

MECHANICAL CHARACTERISTICS

Extruded aluminium body covered with cathaphoresis protective treatment and coated with powder painting in Ferrite finish color. Anodized die-cast aluminium optical head.

Colour and finish: Ferrite

Dimensions: Ø 160mm

Weight: 1.24Kg

Degree of protection: IP66

Mechanical Resistance: IK10

ELECTRICAL CHARACTERISTICS

Integrated power supply as electronic ON-OFF version. Luminaire compliant with EN 60598-2-22 for power supply from a centralised emergency system CPSS (Central Power Supply System), not incorporated in the luminaire - high risk areas excluded. The default power and flux are 100% in AC and 100% in DC.

Fixture Power: 13W

Power supply: 220-240Vac 50/60Hz

Insulation Class: CLASS 2

Type of driver / Control: ON-OFF

Driver included: YES

Class F: YES

SAFE FLICKER: PstLM=<1 and SVM=<0.4 (IEC TR 61547-1 and IEC TR 63158), to ensure a more comfortable and safe light

Ambient temperature: -25°C / +35°C

INSTALLATION

"Bayonet" fixing system for the optical head. Available with three different height poles - 371, 771 and 971mm. To be completed with a stainless steel anchoring system, available in two versions with hidden plate or surface plate for installation with dowels. On both mounting options can be applied stainless steel rods for installation in concrete.

NOTES

Uses the "Waterblock Plus" technical solution that involves resin coating the connection cables and completely resin coating the integrated driver limiting the risk of humidity reaching the fixture. Cathaphoresis treatment for the optical head available on request. 110-277Vac version available on request.

WARRANTY

5 years.

WARNING

Luminaire designed for disposal/recycling at end-of-life. Replaceable (LED only) light source by a professional. Replaceable control gear by a professional.

Due to the technological evolution of the electronic components, the data provided may be updated, and as such, confirmation must be requested during the order process.

Luminous flux and power supply have +/-10% tolerances with respect to the indicated value. tq +25°C (CIE 121).

We reserve the right to make technical changes.

Targetti Sankey S.r.l.
Via Pratese, 164
50145 Firenze - Italy
Tel: +39 055 37911
targetti.com
targetti@targetti.com

CCIAA Firenze
Share Capital:
€ 500.000,00
VAT N. (IT):
01537660480
R.E.A: FI-275656

TARGETTI

1E4020EL | MRS BO BOLLARD

Radial-emission LED bollard

Related codes

Bollard



Kg	H mm	Colour	Code
0.8	371		1E4030
1.6	771		1E4031
2	971		1E4032

Extruded aluminium body covered with cathoporesis protective treatment and coated with powder painting.

Mounting System



Code

1E4360

Hidden fixing plate.
AISI 316 stainless steel compatible with dowels to be inserted into holes with 8mm diameter.
0.3Kg.

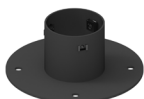


Code

1E4034

Fixing rods for installation in concrete.
AISI 316 stainless steel.
H=144mm.
0.31Kg.
To install MRS BO BOLLARD with hidden fixing plate (1E4360).

Mounting System



Code

1E4035

Fixing plate with flange.
AISI 316 stainless steel compatible with dowels to be inserted into holes with 8.5mm diameter.
0.62Kg.



Code

1E3450

Fixing rods for installation in concrete.
AISI 316 stainless steel.
H=147mm.
0.36Kg.
To install MRS BO BOLLARD with fixing plate with flange (1E4035).

Accessories

Connector



Code

1E2769

Linear connection box IP66/IP68.
5 poles max. wire section 1.5mm².
Cable diameter range from 7 to 12mm.



Code

1E2494

Multiple connection box IP68.
1 IN - 3 OUT 4 poles max. wire section 2.5mm².
Cable diameter range from 6 to 12mm.

Due to the technological evolution of the electronic components, the data provided may be updated, and as such, confirmation must be requested during the order process.
Luminous flux and power supply have +/-10% tolerances with respect to the indicated value. tq +25°C (CIE 121).

We reserve the right to make technical changes.

Targetti Sankey S.r.l.
Via Pratese, 164
50145 Firenze - Italy
Tel: +39 055 37911
targetti.com
targetti@targetti.com

CCIAA Firenze
Share Capital:
€ 500.000,00
VAT N. (IT):
01537660480
R.E.A: FI-275656

TARGETTI

1E4020EL | MRS BO BOLLARD
Radial-emission LED bollard

Tool



Code

1E3305

Tightening wrench for the connector kit.

Surge protector



Code

A013B

Surge protector compatible with CLASS II lighting fixtures and electronic drivers.
 Operating voltage 220-240Vac.
 SPD type 2+3.
 Max surge protection 10kV.
 CLASS II
 IP67

*Due to the technological evolution of the electronic components, the data provided may be updated, and as such, confirmation must be requested during the order process.
 Luminous flux and power supply have +/-10% tolerances with respect to the indicated value. tq +25°C (CIE 121).*

We reserve the right to make technical changes.

Targetti Sankey S.r.l.
 Via Pratese, 164
 50145 Firenze - Italy
 Tel: +39 055 37911
 targetti.com
 targetti@targetti.com

CCIAA Firenze
 Share Capital:
 € 500.000,00
 VAT N. (IT):
 01537660480
 R.E.A.: FI-275656

